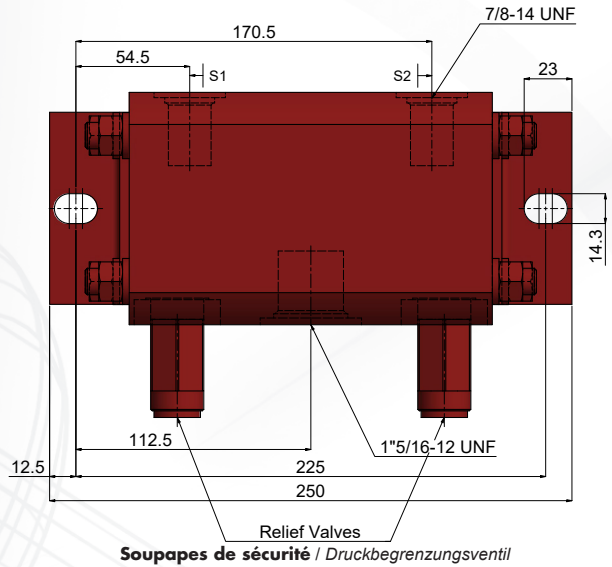
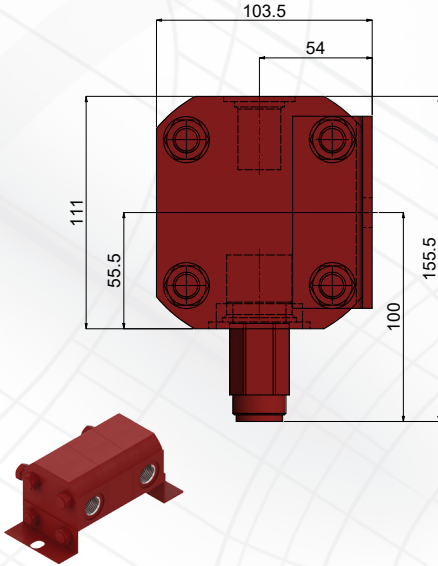
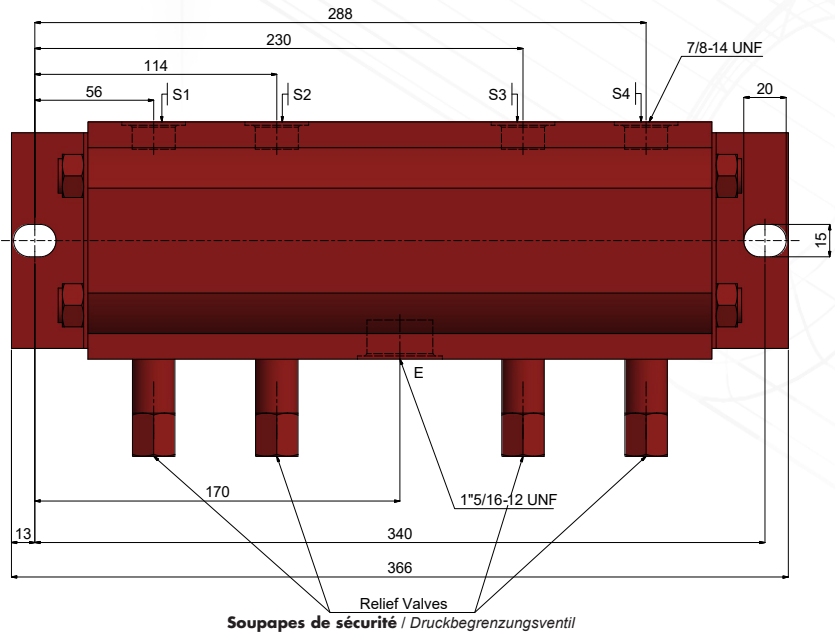
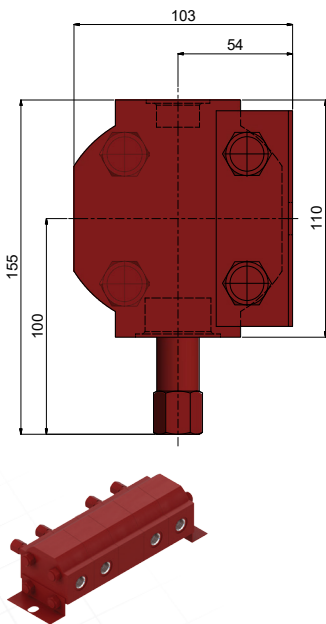


TECHNICAL SPECIFICATIONS / **SPECIFICATIONS TECHNIQUES**  
 TECHNISCHE SPEZIFIKATIONEN



Ref.	Nr of section	Displacement (cm <sup>3</sup> )	Flowrate per section at 2000 RPM (l/min)	Inlet flowrate at 2000 RPM (l/min)	Flowrate per section at 3500 RPM (l/min)	Inlet flowrate at 3500 RPM (l/min)	Pressure (bar)	
							Inlet	Outlet
DR 2-9	2	9,52	19,04	38,08	66,65	133,29	200	240



Ref.	Nr of section	Displacement (cm <sup>3</sup> )	Flowrate per section at 2000 RPM (l/min)	Inlet flowrate at 2000 RPM (l/min)	Flowrate per section at 3500 RPM (l/min)	Inlet flowrate at 3500 RPM (l/min)	Pressure (bar)	
							Inlet	Outlet
DR 4-9	4	9,52	19,04	76,17	66,65	266,58	200	240